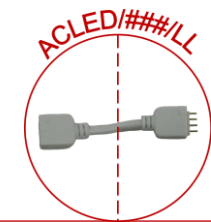
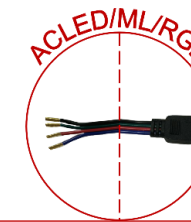
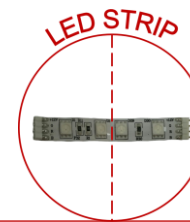
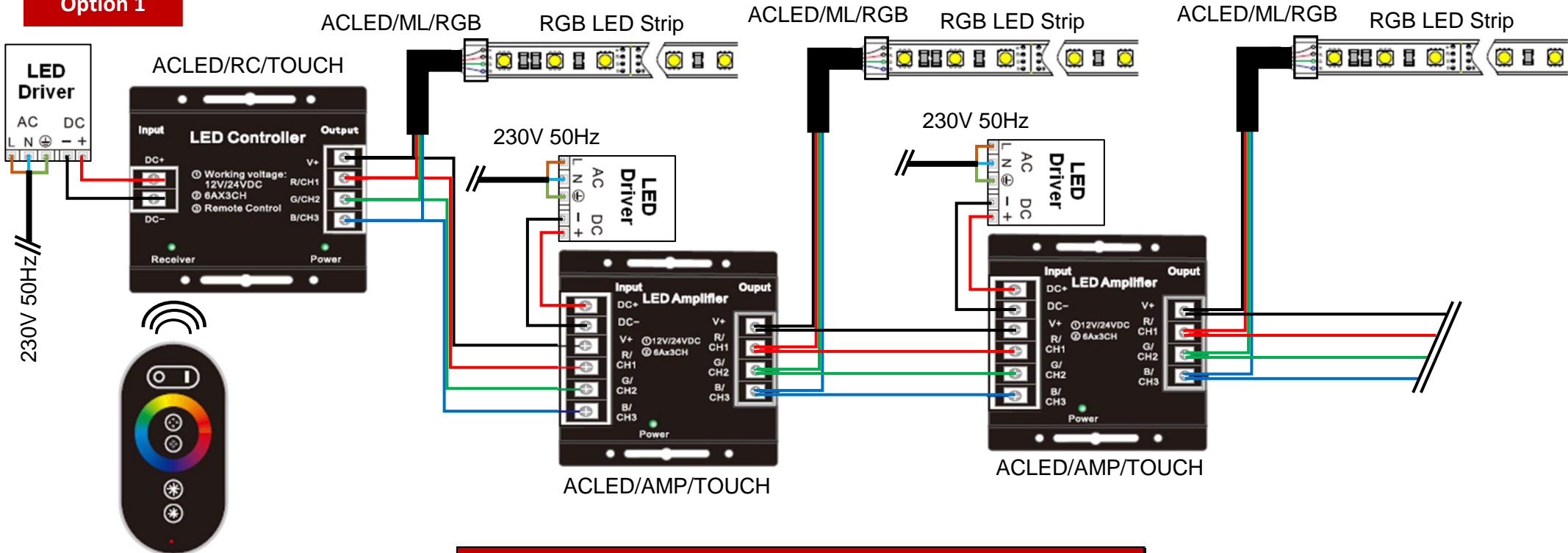


# LED Strip - RGB - Controller and Amplifier Wiring



## Option 1

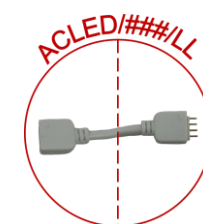


LED Strip	Wattage	Input	Cutting Points	Voltage Drop	Max Length on AD30W/12V	Max Length on AD75W/12V
Adder (AADLED)	7.2W per metre	12V	Every 100mm	1.5V per 5 metres	4m	10m
Cobra (ACLED)	14.4W per metre	12V	Every 50mm	1.5V per 5 metres	2m	5m

LED Strip	Wattage	Input	Cutting Points	Voltage Drop	Max Length on ADK15W/24V	Max Length on ADK60W/24V	Max Length on ADK120W/24V	Max Length on ADK200W/24V	Max Length on ADK320W/24V
Krait (AKRLED)	7.2W per metre	24V	RGB - 166.67mm	2.2V per 5 metres	2m	8m	16m	27m	44m
Boa (ABOLED)	14.4W per metre	24V	RGB - 100mm	2.2V per 5 metres	1m	4m	8m	13m	22m



# LED Strip - RGB - Controller and Amplifier Wiring



Option 2

LED Strip	Wattage	Input	Cutting Points	Voltage Drop	Max Length on ADK15W/24V	Max Length on ADK60W/24V	Max Length on ADK120W/24V	Max Length on ADK200W/24V	Max Length on ADK320W/24V
Krait (AKRLED)	7.2W per metre	24V	RGB - 166.67mm	2.2V per 5 metres	2m	8m	16m	27m	44m
Boa (ABOLED)	14.4W per metre	24V	RGB - 100mm	2.2V per 5 metres	1m	4m	8m	13m	22m

LED Strip	Wattage	Input	Cutting Points	Voltage Drop	Max Length on AD30W/12V	Max Length on AD75W/12V
Adder (AADLED)	7.2W per metre	12V	Every 100mm	1.5V per 5 metres	4m	10m
Cobra (ACLED)	14.4W per metre	12V	Every 50mm	1.5V per 5 metres	2m	5m

