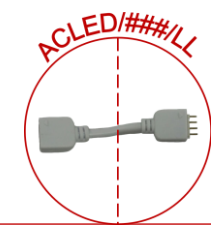
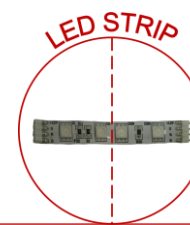
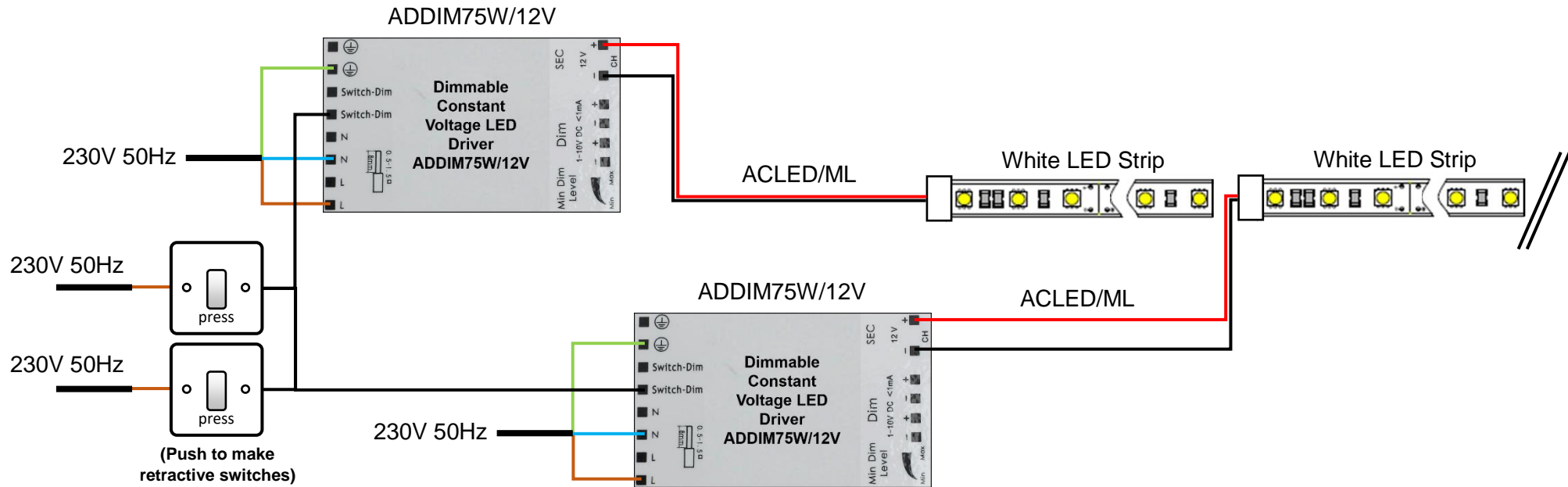


LED Strip - White (Dimmable) - Wiring



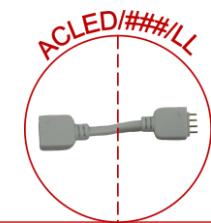
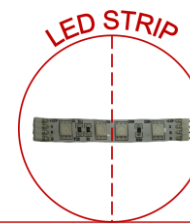
Option 1:
Switch Dim – Utilising a push to make retractive switch.



Please note:
 Switch-Dim must only be used with a 'push to make' retractive switch, multiple switches wired in parallel can be used to control multiple drivers as shown in the above diagram.

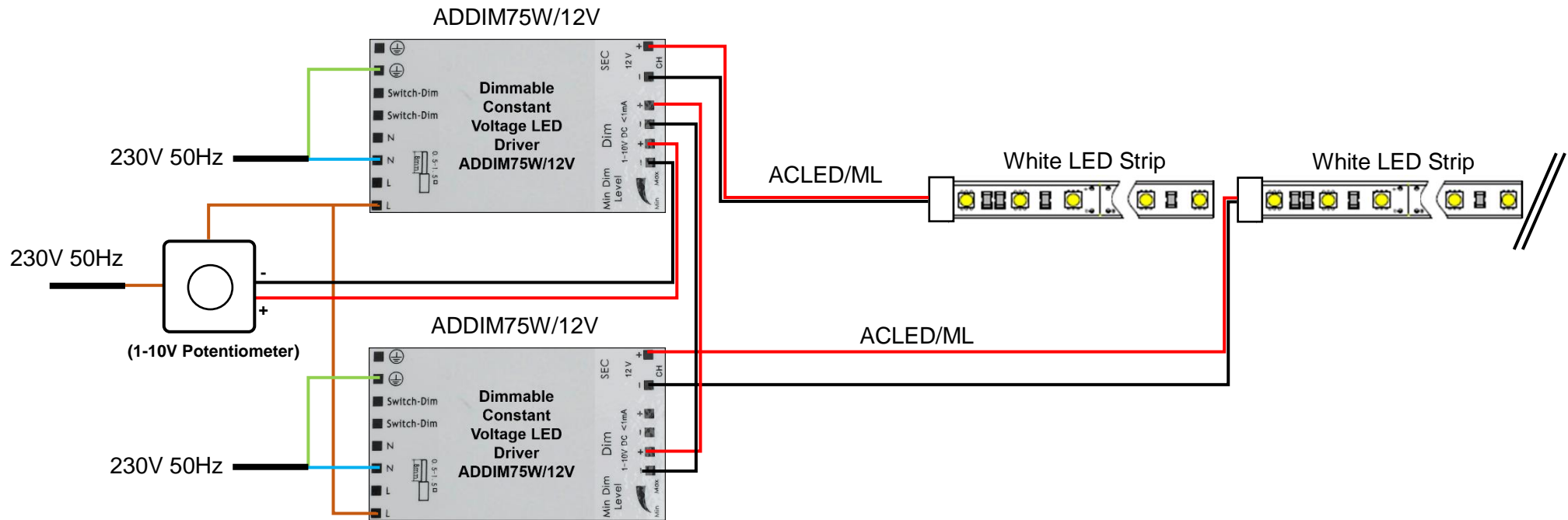
LED Strip	Wattage	Input	Cutting Points	Voltage Drop	Max Length on ADDIM75W/12V
Adder (AADLED)	7.2W per metre	12V	Every 100mm	1.5V per 5 metres	10m
Cobra (ACLED)	14.4W per metre	12V	Every 50mm	1.5V per 5 metres	5m

LED Strip - White (Dimmable) - Wiring



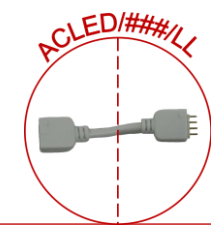
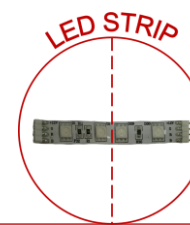
Option 2:

1-10V – Utilising a 1-10V potentiometer.

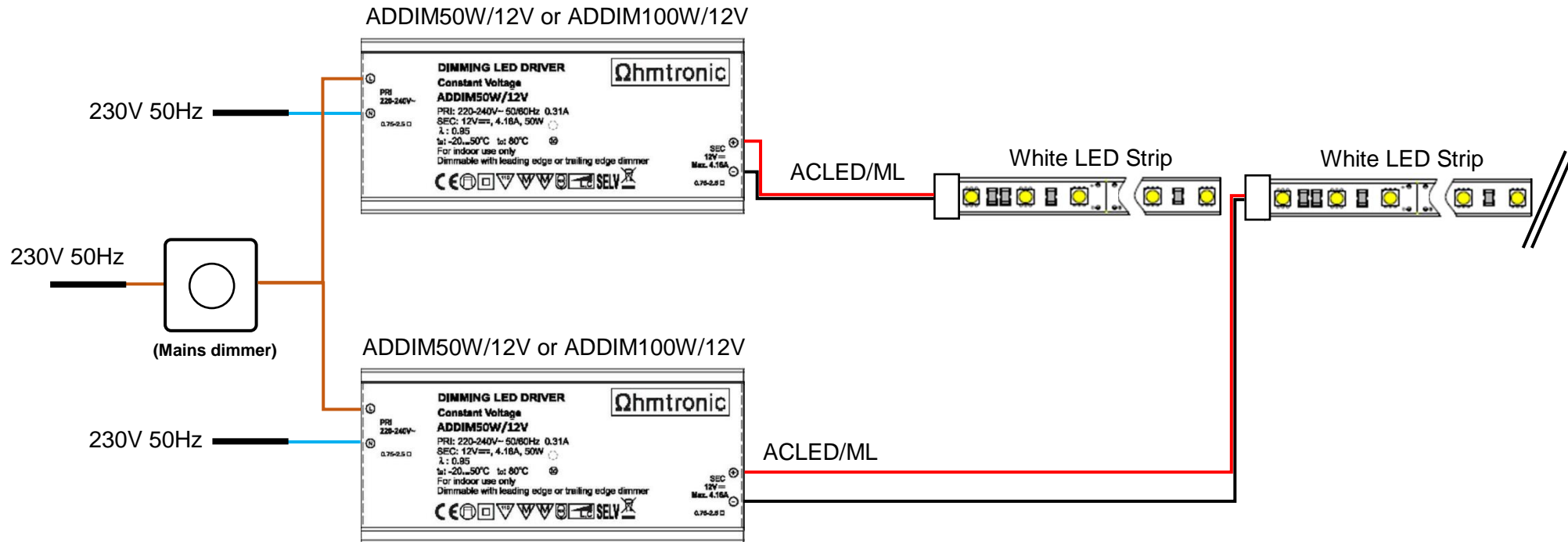


LED Strip	Wattage	Input	Cutting Points	Voltage Drop	Max Length on ADDIM75W/12V
Adder (AADLED)	7.2W per metre	12V	Every 100mm	1.5V per 5 metres	10m
Cobra (ACLED)	14.4W per metre	12V	Every 50mm	1.5V per 5 metres	5m

LED Strip - White (Dimmable) - Wiring



Option 3:
Mains / Triac dimmable – using a rotary switch.



LED Strip	Wattage	Input	Cutting Points	Voltage Drop	Max Length on ADDIM50W/12V	Max Length on ADDIM100W/12V
Adder (AADLED)	7.2W per metre	12V	Every 100mm	1.5V per 5 metres	6m	13m
Cobra (ACLED)	14.4W per metre	12V	Every 50mm	1.5V per 5 metres	3m	6m