



INSTALLATION INSTRUCTIONS

DESCRIPTION - RGBW 12/24V Indoor Controller

PRODUCT CODE(S) - AOCTO/RGBW/BTC

APPROVALS & CLASSIFICATIONS

IP20 RoHS compliant



IMPORTANT INFORMATION

- It is recommended that luminaires are installed and fitted by a qualified electrician ensuring the installation complies to the current IET wiring regulations.
- These instructions should be read carefully and retained after installation for future reference and maintenance.
- Ensure all electrical connections are secure and that there are no loose strands.
- Range is highly dependent on the units surroundings and obstacles, such as walls and building materials.
- Octo uses mesh network technology so each unit acts also as a repeater. Longer ranges can be achieved by using multiple Octo units.

WARNING!

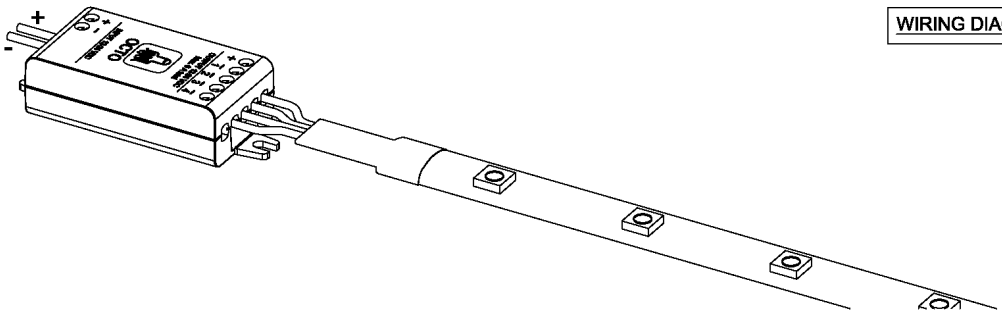
This controller is designed to operate between a Power Supply and LED Strip.
Max. loading 6 Amp.

DISPOSAL INSTRUCTIONS

This product may contain substances that can be hazardous to the environment if not disposed of properly. Electrical and electronic equipment should never be disposed of with general household waste but must be separated for its correct treatment and recovery. Where possible recycle your packaging.



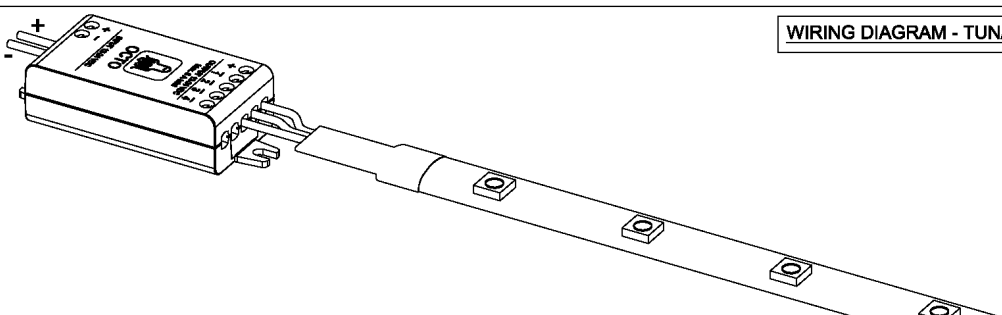
POWER SUPPLY
12 / 24VDC



WIRING DIAGRAM - RGB

- +: Common (+)
- 1: Red (-)
- 2: Green (-)
- 3: Blue (-)
- 4: Not In Use

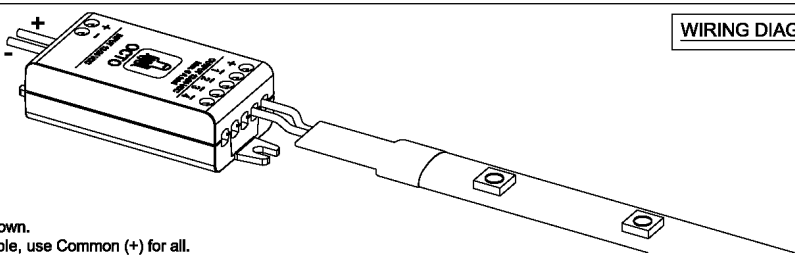
POWER SUPPLY
12 / 24VDC



WIRING DIAGRAM - TUNABLE WHITE

- +: Common (+)
- 1: Warm (-)
- 2: Cool (-)
- 3: Not In Use
- 4: Not In Use

POWER SUPPLY
12 / 24VDC



WIRING DIAGRAM - 1 to 4 SEPARATE CHANNELS

- +: Common (+)
- 1: Channel 1 (-)
- 2: Channel 2 (-)
- 3: Channel 3 (-)
- 4: Channel 4 (-)

SCHEMATIC
Single channel shown.
4 channels available, use Common (+) for all.

TECHNICAL SPECIFICATIONS

INPUT
Voltage Range: 12-24VDC
Max. Input Current: 6A
No-Load Standby Power: <0.3W

OUTPUT
Output Voltage: Same as Input Voltage
Max. Output Power: 144W @ 24VDC
72W @ 12VDC

Max. Output Current: 6A (Can be freely divided between the channels)

Min. Load Requirement: 0W
Dimming Method: Pulse Width Modulation (PWM)

RADIO TRANSEIVER
Operating Frequencies: 2.4 to 2.483Ghz
Max. Output Power: +4dBm

OPERATING CONDITIONS
Ambient Temperature, ta: -20 to +45°C
Max. Case Temperature, tc: +75°C
Storage Temperature: -25 to +75°C
Max. Relative Humidity: 0 to 80% Non. Cond.

MECHANICAL DATA
Dimensions: 72.6 x 30 x 18mm
Weight: 23g
Degree of Protection: IP20 (Indoor Use Only)

WIRE INFO

Solid and Stranded
0.75-1.5mm² / 14-22 AWG

Strip Length
6-7mm

Tightening Force
0.4Nm

Max. Input Cable Length
3m

DIMENSIONS

